

# X-stainless steel ball valves, reduced bore

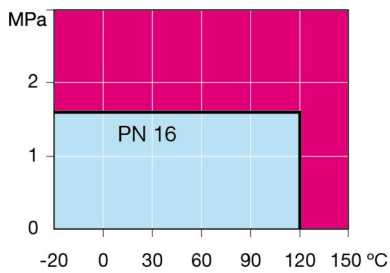
238X series, press fit / press fit, EN (DIN), DN 15-50 (18-54 mm), reduced bore

Body	DN 15-50 Stainless steel, X2CrNiMo17-12-2 (1.4404)
Ball	DN 15-50 Stainless steel, X2CrNiMo17-12-2 (1.4404)
Ball seal	DN 15-50 PTFE+C
Stem	DN 15-50 Stainless steel, X2CrNiMo17-12-2 (1.4404)
Stem seal	DN 15-50 FPM/NBR
Operation	DN 15-50 with composite handle
Press fit connection's O-ring (LBP)	DN 15-50 CIIR



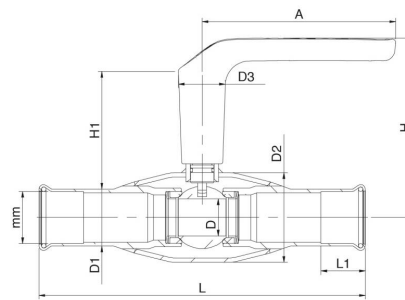
## Operation conditions

-20 ° – +120 °C  
 Below -20 °C contact manufacturer  
 Over +120 °C contact manufacturer  
 Lowest allowed ambient temperature -40 °C  
 Leakage rate A (EN 12266-1)



Not for steam

DN 15-50



DN	PN	Product no.	mm	A	D	D1	D2	D3	H	H1	L	L1	kg
15	16	238015X	18	130	10	21.3	33.7	32.0	108	75	220	25	0.6
20	16	238020X	22	130	15	25.4	42.4	32.0	112	77	220	25	0.8
25	16	238025X	28	130	20	31.4	48.3	32.0	116	78	220	25	1.0
32	16	238032X	35	130	25	38.3	60.3	32.0	121	79	220	30	1.3
40	16	238040X	42	130	32	45.5	70.0	32.0	128	84	220	30	1.5
50	16	238050X	54	130	50	58.0	88.9	32.0	136	84	220	30	2.3